

Meraki International



**Meraki**<sup>®</sup>  
SYSTEMATIC APPROACH WITH QUALITY



Catalogue 2024-2025

# SWIMMING POOL EQUIPMENT

# Introduction

Established in the year 2014, at Delhi (India), we “Meraki International” hold expertise in Manufacturer and Wholesaler a commendable range of Swimming Pool Filters & Pumps (Importer) Swimming Pool Cleaning Equipment, Swimming Pool Light, Swimming Pool Loungers and much more to provide our clients with. This offered range is manufactured by making use of premium quality required basic material and components, procured from the established vendors of the industry. Moreover, this offered gamut is designed and developed in complete adherence with the illustrated parameters of the industry, followed by comprehensive R & D. Our product range holds several attributes such as long service life, resistance against corrosion, excellent performance and high compressive strength. We offer this gamut in different sizes and specifications so as to meet divergent demands of the clients. Furthermore; we hold specialization in providing our clients with the best and suitable customized solutions as per their detailed specifications.

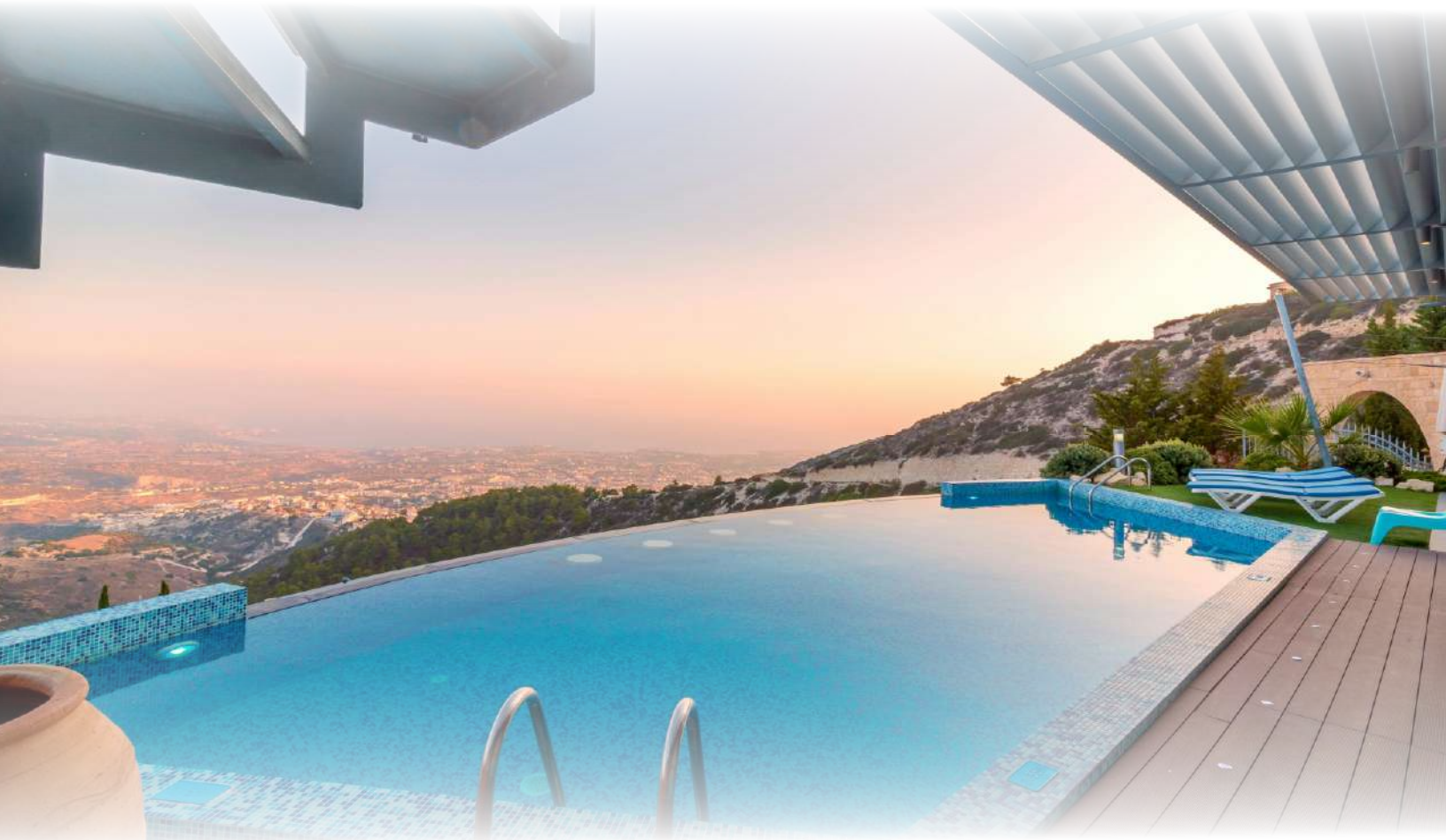
Along with this, we are backed by a sound infrastructure set up at Delhi (India). With due consideration, we have segregated this setup in different units such as manufacturing, quality testing laboratory, warehouse, and administration office. The manufacturing unit comprises fabrication bays. This unit is well equipped with the latest plate and pipe bending machines, TIC welding machines and plasma arc cutting machine and much more. Our setup is well connected with all the major transportation modes of the city, which enables us to make the timely and prompt delivery at the clients' end. In addition to this, we follow ethical business practices, owing to which our organization is highly appreciated. Ever since our inception, we have been serving our customers with timely delivery, customized solutions, and flexible transaction modes. Owing to the aforementioned factors, we have been able to maintain acquired the credible position in the markets across the nation.

We are backed by a team of assiduous professionals, which goes above and beyond the call of its duty to execute entire production process in a streamlined manner. Our team comprises highly qualified researchers, procurement agents, production personnel and quality controllers. These professionals hold expertise over their respective domain and fulfill their concerned responsibility in a productive manner. Our team of researchers conducts market surveys on a regular basis so as to comprehend prevailing market demands and then, put best of their ability to bring forth suitable products incorporating advanced technology.

Along with this, we have managers and administrators who aid us in executing business related activities in a streamlined manner Under the profound mentorship of our Director “Mr. Raju Kashyap”, we have been able to attain specialization in this discipline. Moreover, it is due to his striven efforts and commendable knowledge; we are able to meet expectations of the clients with the best products.

# Content

◆ Filter Series	1-10	◆ Pool Fitting Series	29-31
◆ Pump Series	11-16	◆ Nozzle Series	31-32
◆ Light Series	17-19	◆ Cleaning Series	33-37
◆ Water Decent Series	20-21	◆ Competition Series	38-40
◆ Ladder Series	22-26	◆ Tiles Series	41-42
◆ Gratings	27-28	◆ Furniture & Slides Series	43-44



# Swimming Pool Filter Series



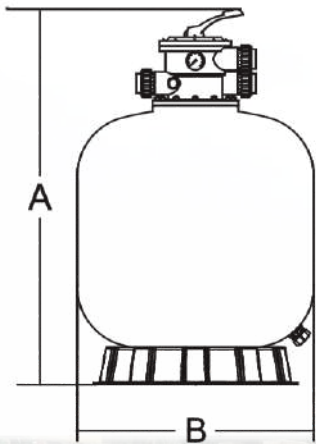


## Model: MK0001

Bobbin-wound fiber glass reinforced tank is still the most popular standard in the industry after all. With Uv-resistant surface finished, it is able to operate under prolong sunlight for years of reliability. "MK"eries (MK400-MK1400)filters are equipped with a six-position, clamp and screw styles multiport vale and ABS laterals.

### Highlight Features:

- ▶ Max Operating Pressure 36psi/2.5bar
- ▶ Max Temperature of 43°C (109°F)
- ▶ Universal Standard of Union Connection Provided
- ▶ Suggested Size of media: 1-2mm



Model	Filter Area (m <sup>2</sup> )	Valve Connections		Max Flow Rate	Gravel (Kg)	A mm	B mm
MKS 400	0.13	1.5 inch	50mm	8m <sup>3</sup> /h	35	760	400
MKS 450	0.16	1.5 inch	50mm	10m <sup>3</sup> /h	45	815	450
MKS 525	0.22	1.5 inch	50mm	12m <sup>3</sup> /h	85	880	525
MKS 625	0.30	1.5 inch	50mm	16m <sup>3</sup> /h	150	1005	625
MKS 700	0.40	2.0 inch	50mm	20m <sup>3</sup> /h	210	1100	700
MKS 700B	0.40	2.0 inch	63mm	21m <sup>3</sup> /h	215	1150	700
MKS 750	0.45	2.0 inch	63mm	23m <sup>3</sup> /h	300	1180	750
MKS 800	0.50	2.0 inch	63mm	25m <sup>3</sup> /h	355	1310	800
MKS 900	0.64	2.0 inch	63mm	31m <sup>3</sup> /h	470	1380	900
MKS 1000	0.79	2.0 inch	63mm	36m <sup>3</sup> /h	620	1495	1000
MKS 1100	0.96	2.0 inch	63mm	42m <sup>3</sup> /h	800	1580	1100
MKS 1200	1.13	2.0 inch	63mm	45m <sup>3</sup> /h	900	1600	1200
MKS 1400	1.54	2.0 inch	63mm	56m <sup>3</sup> /h	1350	1810	1400



# Filter Series

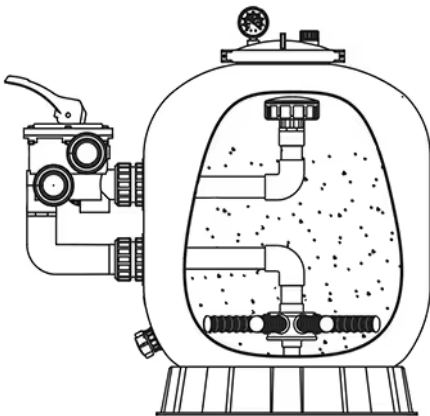


## Model: MK0002

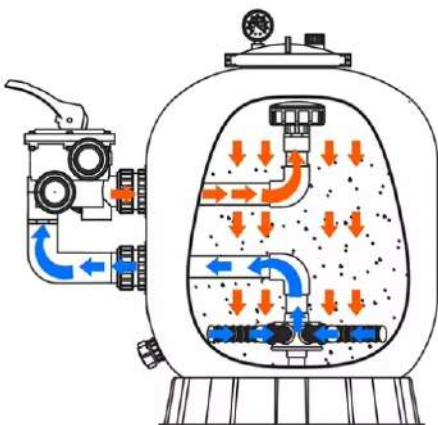
Bobbin-wound fiber glass reinforced tank is still the most popular standard in the industry after all. With Uv-resistant surface finished, it is able to operate under prolong sunlight for years of reliability. "MK" series filters are equipped with a six position, clamp and screw styles multiport vale and ABS laterals.

### Highlight Features:

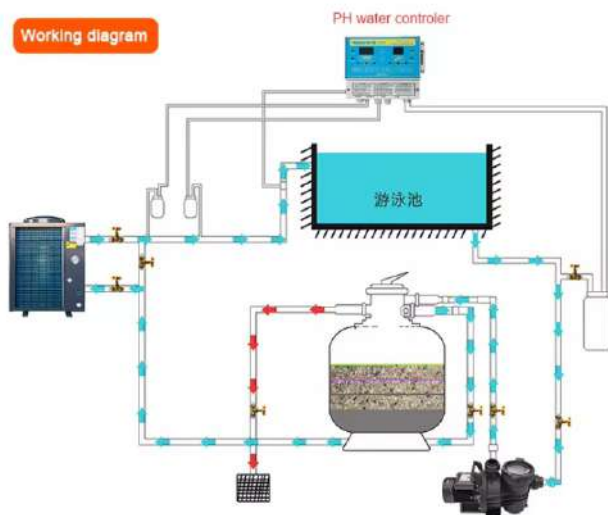
- ▶ Max Operating Pressure 36psi/2.5bar
- ▶ Max Temperature of 43°C (109°F)
- ▶ Universal Standard of Union Connection Provided
- ▶ Suggested Size of media: 1-2mm



Model	Filter Area (m <sup>2</sup> )	Valve Connections		Max Flow Rate	Gravel (Kg)	A mm	B mm
MKS 525	0.22	1.5 inch	50mm	12m <sup>3</sup> /h	85	780	525
MKS 625	0.30	1.5 inch	50mm	16m <sup>3</sup> /h	150	880	625
MKS 700	0.40	1.5 inch	50mm	20m <sup>3</sup> /h	210	945	700
MKS 700B	0.40	2.0 inch	63mm	21m <sup>3</sup> /h	215	945	700
MKS 750	0.45	2.0 inch	63mm	23m <sup>3</sup> /h	300	960	750
MKS 800	0.50	2.0 inch	63mm	25m <sup>3</sup> /h	355	1080	800
MKS 900	0.64	2.0 inch	63mm	31m <sup>3</sup> /h	470	1100	900
MKS 1000	0.79	2.0 inch	63mm	36m <sup>3</sup> /h	620	1285	1000
MKS 1100	0.96	2.0 inch	63mm	42m <sup>3</sup> /h	800	1380	1100
MKS 1200	1.13	2.0 inch	63mm	45m <sup>3</sup> /h	900	1500	1200
MKS 1400	1.54	2.0 inch	63mm	56m <sup>3</sup> /h	1350	1580	1400

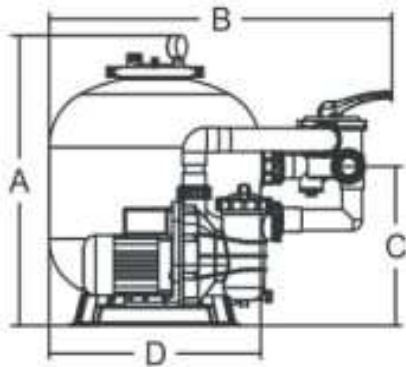


Fiberglass: Fiberglass Reinforced Tank



## Model: MK0003

Designed for easy set-up domestic pool, "MK" Series filtration combo offers the right solution for home user who is looking for user-friendly and excellent filtration performance. FSF Series Filtration Combo includes top mount fiber glass filter tank, 6-way multiport valve, swimming pool pumps attached with base.



### Highlight Features:

- ▶ Max Operating Pressure 36psi/2.5bar
- ▶ Max Temperature of 43°C (109°F)
- ▶ Universal Standard of Union Connection Provided
- ▶ Suggested Size of media: 1-2mm

Model	Filter Area (m <sup>2</sup> )	Valve Connections		Max Flow Rate	Gravel (kg)	A mm	B mm
MKT 525	0.22	1.5 inch	50mm	12m <sup>3</sup> /h	85	780	525
MKT 625	0.30	1.5 inch	50mm	16m <sup>3</sup> /h	150	880	625
MKT 700	0.40	1.5 inch	50mm	20m <sup>3</sup> /h	210	945	700
MKT 700B	0.40	2.0 inch	63mm	21m <sup>3</sup> /h	215	945	700
MKT 750	0.45	2.0 inch	63mm	23m <sup>3</sup> /h	300	960	750
MKT 800	0.50	2.0 inch	63mm	25m <sup>3</sup> /h	355	1080	800



# Filter Series



## Model: MK0004

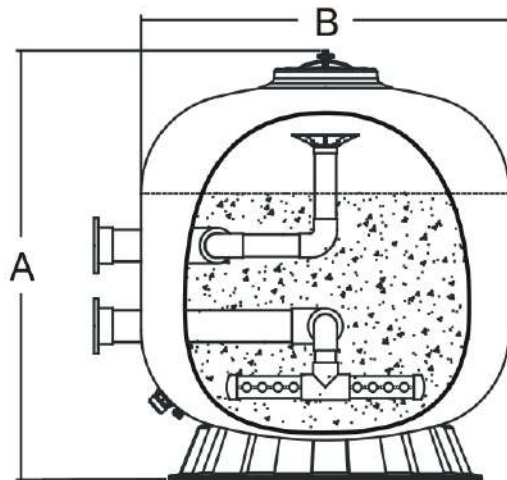
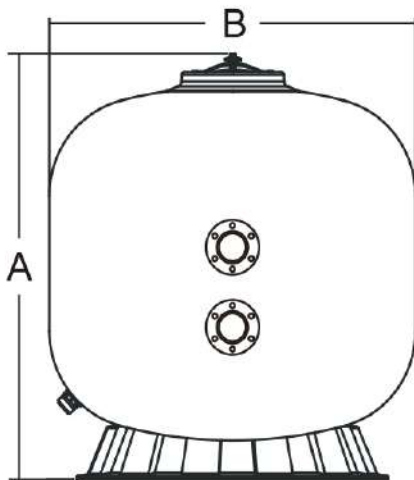
MK Series Commercial Sand Filter satisfies the demand of differen water treatment including pools installed within-floor cleaning systems spa, fountains and public swimming pool.

### Highlight Features:

- ▶ Max Operating Pressure 36psi/2.5bar
- ▶ Max Temperature of 43°C (109°F)
- ▶ Universal Standard of Union Connection Provided
- ▶ Suggested Size of media: 1-2mm



Model	Filter Area (m)	Valve Connections		Max Flow Rate	Gravel (Kg)	A mm	B mm
MK 1200	1.13	3 inch	90mm	55m <sup>3</sup> /h	900	1410	1200
MK 1400	1.54	3 inch	90mm	76m <sup>3</sup> /h	1350	1570	1400
MK 1600	2.06	4 inch	110mm	100m <sup>3</sup> /h	2300	1740	1600
MK 1800	2.52	6 inch	160mm	120m <sup>3</sup> /h	2900	2040	1800
MK 2000	2.97	6 inch	160mm	145m <sup>3</sup> /h	4000	2210	2000
MK 2300	4.43	8 inch	200mm	210m <sup>3</sup> /h	6000	2510	2350
MK 2350	4.43	8 inch	200mm	210m <sup>3</sup> /h	6600	2510	2350







### Top Mount MPV

- ▶ Connection: Bolt Type
- ▶ Size: 1.5" Clamp Type & 2" Bolt Type
- ▶ 400kPa/58psi/4bar
- ▶ 500kPa/72psi/5bar
- ▶ 50°C (122°F)
- ▶ 27m³h at 400kPa/58psi/4bar



### Side Mount MPV

- ▶ Connection: Flange Type
- ▶ 400kPa/58psi/4bar
- ▶ 500kPa/72psi/5bar
- ▶ 50°C (122°F)
- ▶ 52m³h at 400kPa/58psi/4bar



### Butterfly Valve

- ▶ Max Working Pressure: 250kPa/36psi/2.5bar
- ▶ Factory Testing Pressure: 400kPa/58psi/4.0bar
- ▶ Maximum Water Temperature: 43°C (109°F)



**Sand Filter Media**  
Size: 4-8mm, 8-16mm- 16-32mm



**Glass Crystal Media**  
Size: 3-5mm, 4-8mm, 12-18mm

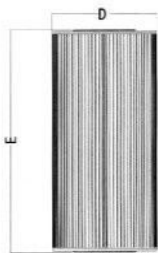
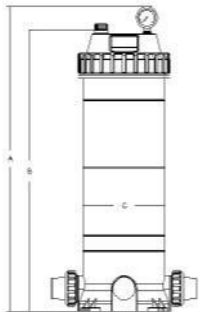


## Model: MK0005

Cartridge filtration is an effective trouble-free proven method of filtration. Pool water enters the filter and passes through a polyester single element cartridge. Suspended particles are trapped and the water is returned to the pool. As the build-up of dirt in the element increases, so the water pressure rises and the flow decreases. When the pressure reaches an unacceptable level, the element must be removed and cleaned.

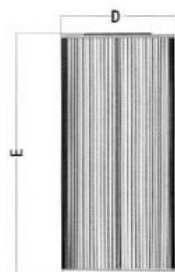
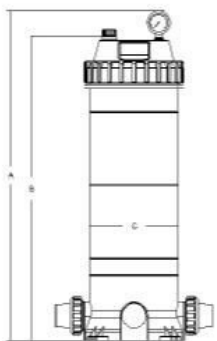
### Highlight Features:

- ▶ Max Operating Pressure 36psi/2.5bar
- ▶ Max Temperature of 43°C (109°F)
- ▶ Universal Standard of Union Connection Provided
- ▶ Suggested Size of media: 1-2mm



### Paper Cartridge Pool Filters / Cartridge for Water Treatment

Maximum Working Pressure	300kPa/50psi/3.5bar
Max flow rate	5.5m <sup>3</sup> /h-40.9m <sup>3</sup> /h
Valve connection	1.5inch 50mm/2inch 63mm
Filter Area	2.25m <sup>2</sup> -16.83m <sup>2</sup>
Maximum Water Temperature	40°C(100°F)



Model	Description
MKC 25	25ft <sup>2</sup> Cartridge Filter with 1.5" union sets
MKC 50	50ft <sup>2</sup> Cartridge Filter with 1.5" union sets
MKC 75	75ft <sup>2</sup> Cartridge Filter with 1.5" union sets
MKC 100	100ft <sup>2</sup> Cartridge Filter with 2" union sets
MKC 150	150ft <sup>2</sup> Cartridge Filter with 2" union sets
MKC 150	200ft <sup>2</sup> Cartridge Filter with 2" union sets

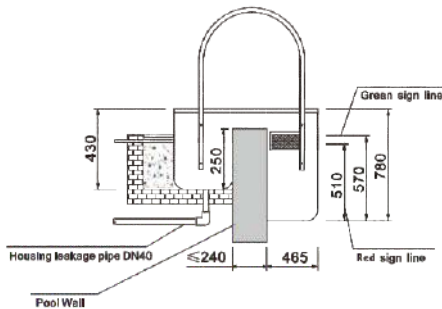


## Model: MK0006

The enclosure of wall-mounted filter is made of high quality acrylic, so the filter is anti-acid, anti-fading, and easy to clean. Integrated filter installation without room, simple installation, convenient operation, excellent performance,

### Advantages:

- ▶ No need pipes, no need machine room, easy to install, saving cost
- ▶ More functions ( filter, spa, illumination, impact bath, cleaning, ladder)
- ▶ Replace traditional sand filter
- ▶ Acrylic material shell with fiberglass reinforcement, anti-acid and anti-fading



### Technical Characteristics

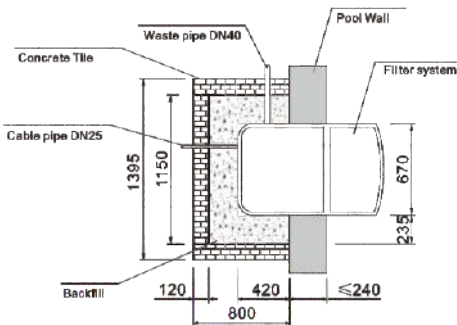
Dimensions	1110x670x780mm
Flow Rate	10m³/h    15m³/h
Voltage	220V/50Hz or 60Hz
Precision of Filtration Bag	≤5u
Operating Noise	≤50Db
Material	Acrylic
Installation	Wall Mounting

### Equipment

Filtration Pump	1*1HP    1*1.5HP
Filtration Basket with Pump	1pc
Chlorine Feeder	1pc
Light	1*LED    12W/12V
Time Controller	1pc
Swim Jet	2pcs
Hand Rail (S.S)	2pcs
Ozone	1pcs

### System

Filtration System	1pc
Disinfection System	1pc
Time Control System	1pc
Circulation System	1pc
Lighting System	1pc





### Model: MK0007

Safe and Respecting the environment this technology brings you:

Relaxation: Your pool is automatically disinfected.

Safety: Reduction in chlorine storage and handling.

Comfort: Clean, safe and crystal-clear water.

Health & Well Being: Therapeutic, saltwater does not irritate eyes & dry out skin.



### Model: MK0008

We are supplier of high-quality UV Disinfection System made up of stainless steel. These systems utilize ultra violet light to kill microbes in swimming pool water. This is a non chemical process that uses UV light rays to sanitize swimming pool water from Algae, era, viruses, cysts and protozoa by distributing the DNA or RNA of these organisms.

#### Product Specifications:

Color	Blue & Silver
Application	Water Disinfection
Material	Stainless Steel and Plastic
Country of Origin	Made in India



### Model: MK0009

- ▶ Double-ball ceramic check valves
- ▶ Easy access, side mounted mechanical feed rate adjustment
- ▶ Ball bearing supported motor drive shaft
- ▶ Easy servicing

#### Product Specifications:

Power Source	Electric
Material	Cast Iron
Surface Finish	Galvanized
Frequency	50 Hz



### Model: MK0010

Since our inception, we are engaged in manufacturing, supplying, and exporting a wide range of excellent quality Chemical Feeder.

This feeder used on the swimming pools, Spa pools, and various other places for mixing the chemicals and extracting the chemicals from the water. At our, this feeder is manufactured using the quality materials and approved components.

Also, offered feeder is quality tested on various aspects for making it robust and highly durable. Apart from this, clients can get the feeder from us industry leading rates.

### Features:

- ▶ Easy to use and moisture resistance
- ▶ Self-adhesive and tear resistance
- ▶ Better cohesion strength and easy to apply

Model	Chlorine Tablet Specification	Total Weight	Valve Connections		A mm	B mm	C mm
MK0212	30*16mm/pc, 76*26mm/pc	6.0Kg	1.5 inch	50mm	580	440	225
MK0213	30*16mm/pc, 76*26mm/pc	11.0Kg	1.5 inch	50mm	760	440	225



### Model: MK0011

Ozone generators are designed for laboratory and research in water, medical, chemical and industrial research and wastewater treatment facilities. It can be used in chemical research for ozonolysis, where ozone oxidizes olefins to form alcohols. In wastewater treatment, ozone is a powerful oxidizer that reduces the chemical oxygen demand (COD) and biochemical oxygen demand (BOD) of organic material. The unit is housed in a rugged stainless steel cabinet and all components in contact with oxygen and ozone are made of stainless steel, glass or PTFE tubing.

The industrial ozone generator system uses a water-cooled corona discharge (CD) tube to generate ozone from various pressurized sources such as compressed air, bottled oxygen or oxygen generators. The result is a high ozone concentration with low energy requirements.

# Swimming Pool Motor Pump Series





### Model: MK0012

#### Product Highlight Features:

- Asynchronous, two poles
- Class insulation: 130
- IPX5 Waterproof standard
- Built-in thermal protection
- Overload protection
- Available in 50Hz or 60Hz with 220V/380V
- Special design union compatible for both Imperial and metric measurement standard

Model	Input Power	Horse Power	Qmax(L/max)	Hmax (m)	V	Packaging Size (mm)
MK-100	0.97 KW	1.0 HP	350	12.5	220	675*315*420
MK-150	1.1 KW	1.5 HP	380	16.5	220	675*315*420
MK-200	1.5 KW	2.0 HP	500	20	220	675*315*420
MK-300	2.2 KW	3.0 HP	600	22	220	675*315*420
MK-300	2.2 KW	3.0 HP	600	22	380	675*315*420
MK-400	3.0 KW	4.0 HP	650	25	380	700*315*420



### Model: MK0013

#### Materials:

- Self Priming Pump
- Injected thermo plastic pump casing
- Stainless steel studs
- Motor shaft in stainless steel AISI/420
- Impeller in PPO
- Mechanical seal in graphite and ceramic
- Motor housing in aluminum
- Available in 0.5HP, 0.75HP, 1HP, 1.5HP, 2HP, 3HP



#### Motors:

- Built in pneumatic switch for on & off underwater
- Asynchronous, two poles
- Ip55 protection Class F insulation

# Pump Series



## Model: NSM Series

New Series Pump Heavy Duty Delivers high flow and energy efficiency ultra performance. It is suitable for some commercial swimming pool. 2inch Suction. Ring lock seal design to eliminate suction leaks and to maximize suction efficiency.

### Materials

- Engineering plastics made water inlet and outlet
- Mechanical seal module material: Graphite/ Silicon Carbide
- O-ring: NBR
- Aluminium motor casing

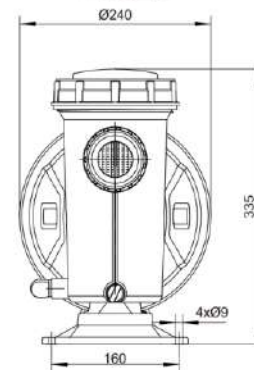
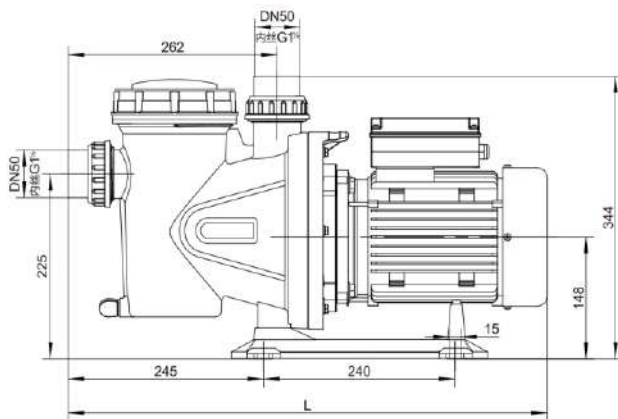
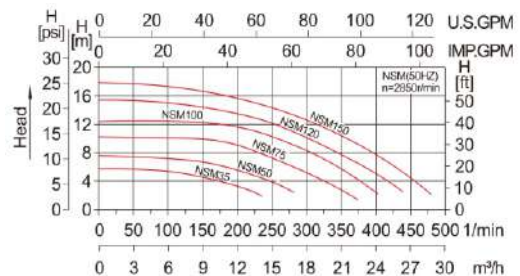
### Motor

- 230/380V asynchronous two-pole motor
- Protection class: Ip55
- Insulation class: F
- Continuous operation capability
- Built-in overheat protection short circuit device

### Working Condition

- Work Temp: 5-50°C
- Ambient temp: ≤40°C
- Working pressure: 0.3MPa Max Self-priming Height 3 meters

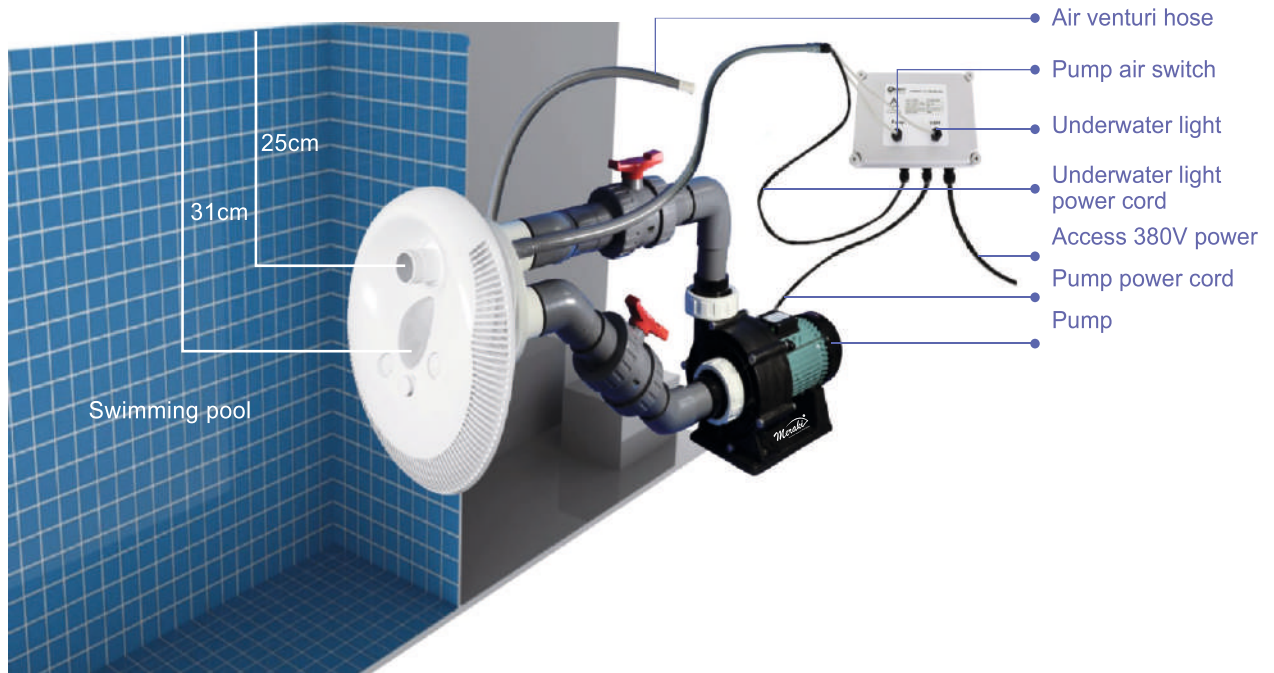
### Performance Curve



Model	Power		Max Head [m]	Max Q		Packing Size L*W*H[cm]	GW [KG]	Flow Q	Head H[m]								
	[KW]	[HP]		[m³/h]	[l/min]				[m³/h]	[l/min]	3	6	9	12	15	18	21
<b>NSM35</b>	0.37	0.5	6.5	13.0	217	58*25*36	10.3	Head H[m]	6.0	5.5	5.0	3.0					
<b>NSM50</b>	0.55	0.75	7.8	16.0	267	58*25*36	11.1		7.5	7.2	7.0	6.0	3.8				
<b>NSM75</b>	0.75	1	10.5	19.0	317	58*25*36	11.7		10.5	10	9.8	9	6.5	5			
<b>NSM100</b>	0.9	1.2	12.5	22.0	367	58*25*36	14.1		12.5	12.3	12.0	11.5	10.5	8.2	5.8		
<b>NSM120</b>	1.1	1.5	15.0	24.0	400	58*25*36	15.3		15.0	14.5	14.0	13.5	12.0	10.0	7.5	5.0	
<b>NSM150</b>	1.5	2	17.5	27.0	450	58*25*36	16.5		17.5	16.5	16.0	15.5	14.0	12.5	10.5	7.5	







**Model: MK0016**

Perfect for small size pool where space is limited. Also it is specialized for fitness training, underwater massage, endless no-lap swimming and unnecessary tumble turns.

**Features:**

1. Powerful counter current.
2. Product can be used as a single or double jet system with one or two pumps.
3. Counter current face plate with LED Light.
4. On/Off light switch mounted on the jet face plate, easy access when you're in the water.
5. Adjust the valve to control the bubble effect.
6. Water flow can be changed through the rotating jet.



**Model: MK0017**  
**Aluminium Air Blower**



**Model: MK0018**  
**ABS Air Blower**



## Model: MK0019

### Advantages:

- ▶ High COP, works even at ambient temperatures less than 20° C
- ▶ Silent operation less than 20db
- ▶ Vent residue chillness can be used to chill small spaces
- ▶ Low profile system and building elevation friendly
- ▶ Wide service network – Quick After sale service with over 11000 service partners. Any product serviced within 48Hrs anywhere within the nation.
- ▶ IOT Compatible – With optional IOT module you can now connect your product to the nearest WIFI & remotely switch ON/OFF, set timers & even have live hot water status on your smartphone, Alexa, Siri etc
- ▶ Warranty – 5 Years on inner tank, 1 Year on other parts excluding glass

## Model: MK0020



Model	Power (kW)	Inlet/Outlet	Voltage(V)	Package(mm)
MK 55	5.5	1.5	220/380	500x385x130
MK 75	7.5	1.5	220/380	500x385x130
MK 110	11	1.5	220/380	500x385x130
MK 150	15	1.5	220/380	500x385x130
MK 180	18	1.5	380	500x385x130
MK 240	24	2	380	705x390x405
MK 320	32	2	380	705x390x405
MK 360	36	2	380	705x390x405
MK 450	45	2	380	705x390x405
MK 600	60	2	380	705x390x405

Sizing a heat pump pool heater involves many factors. Basically, a heater is sized according to the surface area of the pool and the difference between the pool and the average air temperatures. Other factors also affect the heating load for outdoor pools, such as wind exposure, humidity levels, and cool night temperatures. Therefore, pools located in areas with higher average wind speeds at the pool surface, lower humidity, and cool nights will require a larger heater.

# Swimming Pool **LED Light Series**





## Model: MK0021

### ABS Underwater LED Swimming Pool Light

Material: ABS | Protection: IP-68

Size: 9 inch

Input Voltage: DC 12V

Watt: 18W, 24W, 36W

Color: Cool White, Warm White, Blue, RGB



## Model: MK0022

### ABS Underwater LED Swimming Pool Light

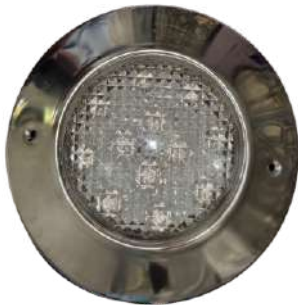
Material: ABS | Protection: IP-68

Size: 7 inch

Input Voltage: DC 12V

Watt: 12W, 18W, 24W

Color: Cool White, Warm White, Blue, Multicolor



## Model: MK0023

### SS Underwater LED Swimming Pool Light

Material: SS | Protection: IP-68

Size: 9 inch

Input Voltage: DC 12V

Watt: 18W, 24W, 36W

Color: Cool White, Warm White, Blue, RGB



## Model: MK0024

### SS Underwater LED Swimming Pool Light

Material: SS | Protection: IP-68

Size: 7 inch

Input Voltage: DC 12V

Watt: 12W, 18W, 24W

Color: Cool White, Warm White, Blue, Multicolor



## Model: MK0025

### SS Underwater LED Swimming Pool Light

Material: SS | Protection: IP-68

Size: 4 inch

Input Voltage: DC 12V

Watt: 6W, 18W

Color: Cool White, Warm White, Blue, Multicolor



**Model: MK0026**

**Fountain LED Light**

Material: SS | Protection: IP-68  
 Dia: 6 inch | LED Number: 12  
 Input Voltage: DC 12V  
 Watt: 12W, 36W  
 Color: Cool White, Warm White, Blue, Multicolor



**Model: MK0027**

**Fountain LED Light**

Material: SS | Protection: IP-68  
 Dia: 4 inch | LED Number: 3  
 Input Voltage: DC 12V  
 Watt: 3W, 9W  
 Color: Cool White, Warm White, Blue, Multicolor



**Model: MK0028**

**Fountain LED Light**

Material: SS | Protection: IP-68  
 Dia: 5 inch | LED Number: 6  
 Input Voltage: DC 12V  
 Watt: 6W, 18W  
 Color: Cool White, Warm White, Blue, Multicolor



**Model: MK0029**

**Fountain LED Light**

Material: SS | Protection: IP-68  
 Dia: 6 inch | LED Number: 6  
 Input Voltage: DC 12V  
 Watt: 6W, 18W  
 Color: Cool White, Warm White, Blue, Multicolor



**Model: MK0030**

**Underwater Light Transformer**

Display Type: LED  
 Watt: 12V/ 5A, 10A, 20A, 30A, 40A, 50A, 60A  
 Watt: 100w, 200w, 300w, 400w, 500w, 600w

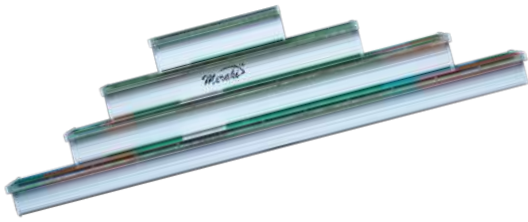


# Swimming Pool **Waterfall Series**



# Water Decent Series

**Model: TM0031**



Meraki Water Decent are suitable for installation on finished walls and new construction walls, as well length, and thickness of the wall product design unique novel, beautiful. Efficient to hide the outlet, showing a beautiful linear effect of the water.

## Technical Information

Model	Connection Size		A (mm)	B (mm)	C (mm)	D (mm)	Power	Voltage
MK300-25LED	1.5inch	50mm	306	138	76	25	4W	DC12V
MK300-150LED	1.5inch	50mm	306	263	76	150	4W	DC12V
MK300-230LED	1.5inch	50mm	306	343	76	230	4W	DC12V
MK600-25LED	1.5inch	50mm	606	138	76	25	8W	DC12V
MK600-150LED	1.5inch	50mm	606	263	76	150	8W	DC12V
MK600-230LED	1.5inch	50mm	606	343	76	230	8W	DC12V
MK600-150LED	1.5inch	50mm	906	138	76	25	12W	DC12V
MK600-230LED	1.5inch	50mm	906	263	76	150	12W	DC12V
MK600-150LED	1.5inch	50mm	906	343	76	230	12W	DC12V
MK600-150LED	1.5inch	50mm	1206	138	76	25	17W	DC12V
MK600-230LED	1.5inch	50mm	1206	263	76	150	17W	DC12V
MK600-150LED	1.5inch	50mm	1206	343	76	230	17W	DC12V



**Model: MK0032**

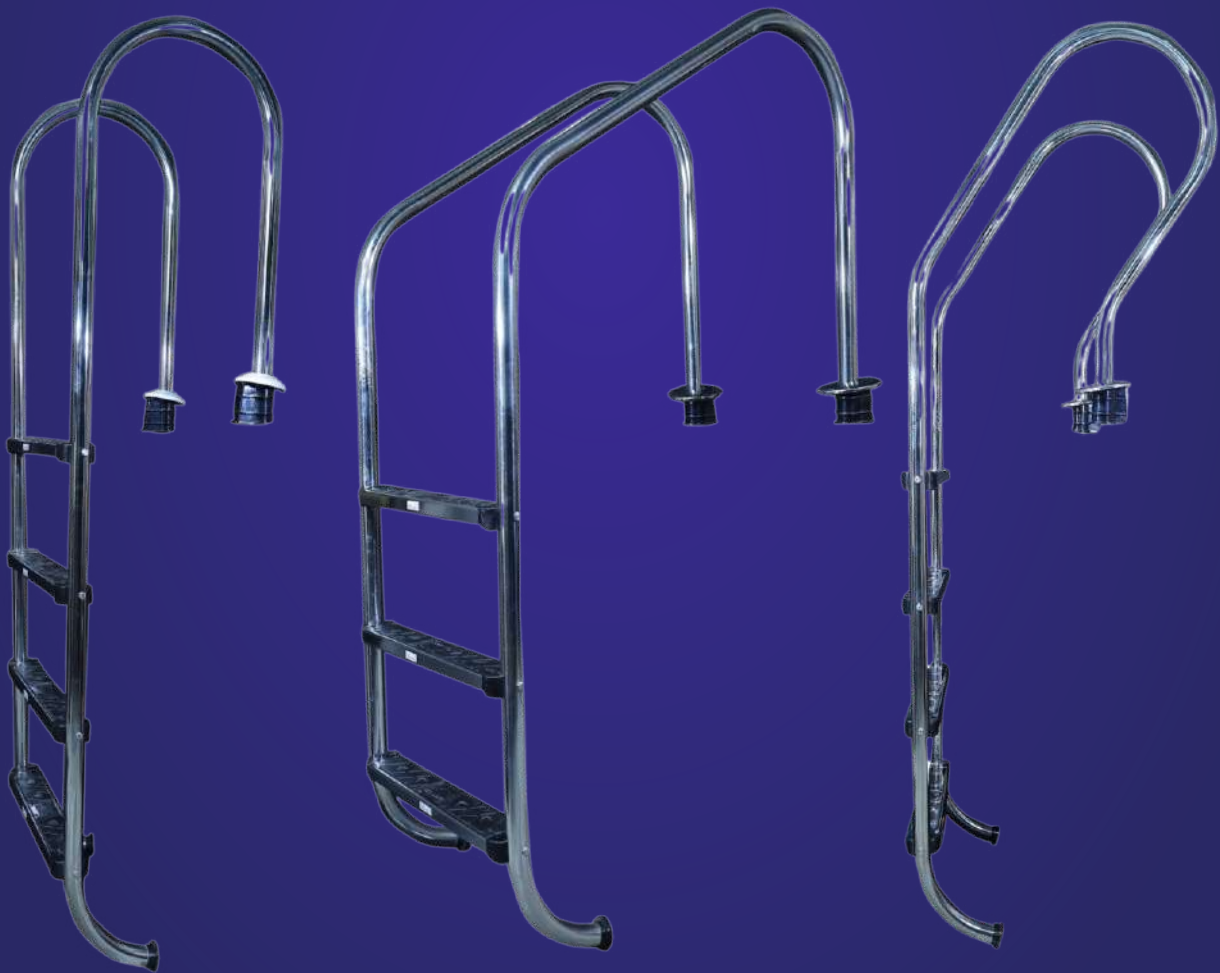


**Model: MK0033**

Model	Connection Size		A (mm)	B (mm)	C (mm)	D (mm)	E (mm)	Power	Voltage
MK300-25LED	1.5inch	50mm	603	423.5	320	236	416	-	-
MK300-150LED	2inch	63mm	750	540.6	395	280	500	-	-
MK300-230LED	1.5inch	50mm	603	423.5	320	236	416	12.0W	DC12V
MK600-25LED	2inch	63mm	750	540.6	395	280	500	13.0W	DC12V



# Swimming Pool Ladder Series





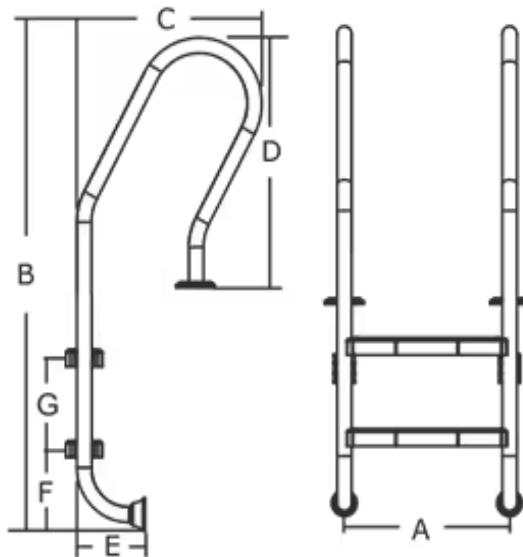
## Model: SD Series

Pool Ladders are explicitly designed to help swimmers access a pool and avoid jumping over an above-ground pool.

They are convenient, provide safety, and preserve your pool walls. A pool ladder is a specialized type of access device for a swimming pool or other similar area.

Pool ladders are most often made of plastic horizontal steps and vertical metal poles.

A pool ladder has various uses, but many are made specifically for outfitting either above ground pools or in-ground pools.



## Technical Information

Model	A (mm)	B (mm)	C (mm)	D (mm)	E (mm)	F (mm)	G (mm)
SD-215	520	1330	650	640	180	200	250
SD-315	520	1580	650	640	180	200	250
SD-415	520	1830	650	640	180	200	250
SD-515	520	2080	650	640	180	200	250



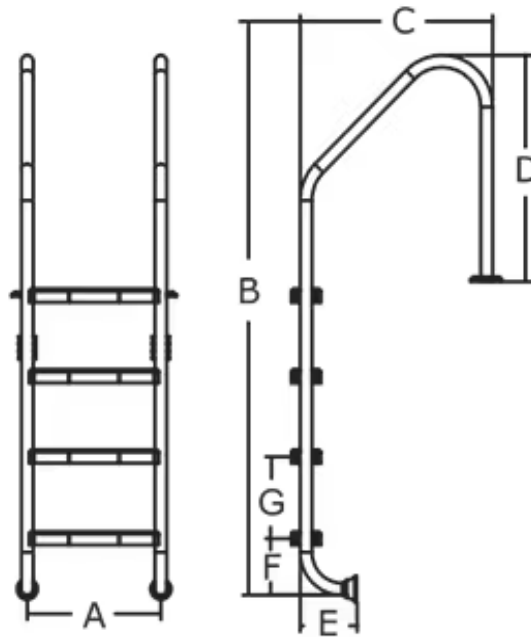
## Model: SO Series

Pool Ladders are explicitly designed to help swimmers access a pool and avoid jumping over an above-ground pool.

They are convenient, provide safety, and preserve your pool walls. A pool ladder is a specialized type of access device for a swimming pool or other similar area.

Pool ladders are most often made of plastic horizontal steps and vertical metal poles.

A pool ladder has various uses, but many are made specifically for outfitting either above ground pools or in-ground pools.



## Technical Information

Model	A (mm)	B (mm)	C (mm)	D (mm)	E (mm)	F (mm)	G (mm)
SO-215	502	1330	650	640	180	200	250
SO-315	502	1580	650	640	180	200	250
SO-415	502	1830	650	640	180	200	250
SO-515	502	2080	650	640	180	200	250

SO Pool Ladder 07



**Model: SS Ladder Steps**

Specifications	
Brand	Meraki
Size	470mm
Color	Silver
Material	Stainless Steel 304 / Rubber Top
Feature	Straight Design With Heart Design & Bending Curve Design



**Ladder Assembly With ABS Anchor**



**Ladder Assembly With SS Anchor**

**Model: SS Handrail**



Specifications	
Brand	Meraki
Size	470mm
Color	Silver
Material	Stainless Steel
Feature	Straight Design With Heart Design & Bending Curve Design



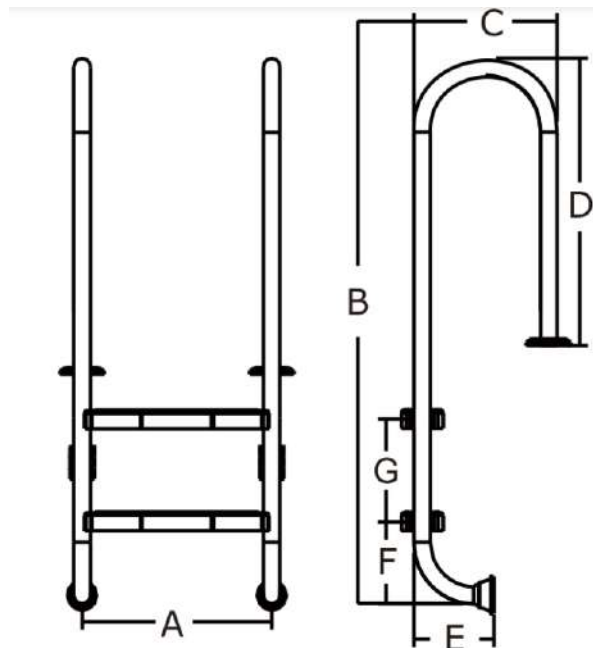
### Model: SU Series

Pool Ladders are explicitly designed to help swimmers access a pool and avoid jumping over an above-ground pool.

They are convenient, provide safety, and preserve your pool walls. A pool ladder is a specialized type of access device for a swimming pool or other similar area.

Pool ladders are most often made of plastic horizontal steps and vertical metal poles.

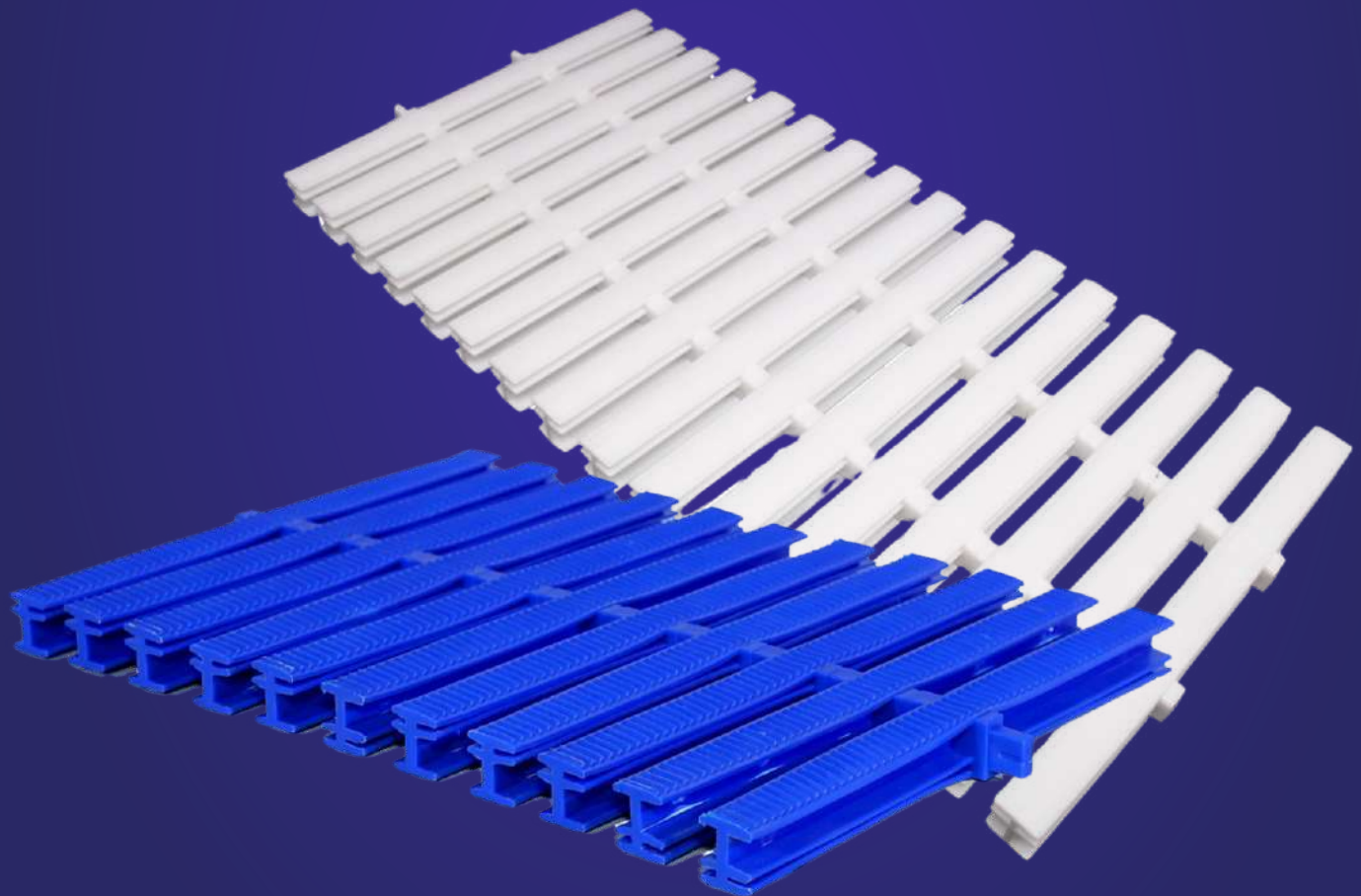
A pool ladder has various uses, but many are made specifically for outfitting either above ground pools or in-ground pools.

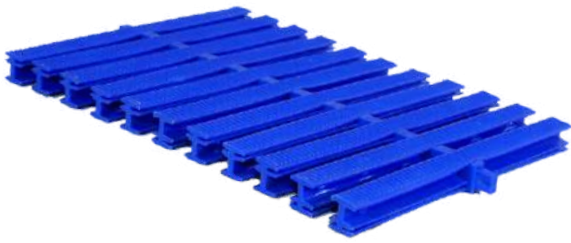


### Technical Information

Model	A (mm)	B (mm)	C (mm)	D (mm)	E (mm)	F (mm)	G (mm)
SU-215	502	1330	365	640	180	200	250
SU-315	502	1580	365	640	180	200	250
SU-415	502	1830	365	640	180	200	250
SU-515	502	2080	650	640	180	200	250

# Swimming Pool **ABS Gratings**





## Model: Single Pin Gratings

### Swimming Pool Overflow Gratings

Material: ABS

Size: 6, 8, 10, 12 inch

Thickness: 25mm

Pin Type: Single Pin

Color: White, Blue, Black, Yellow, Grey, etc.



## Model: Two Pin Gratings

### Swimming Pool Overflow Gratings

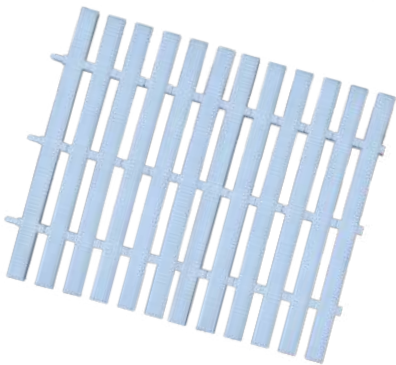
Material: ABS

Size: 10, 12 inch

Thickness: 25mm

Pin Type: Two Pin

Color: White, Blue, Black, Yellow, Grey, etc.



## Model: Three Pin Gratings

### Swimming Pool Overflow Gratings

Material: ABS

Size: 12, 14, 16 inch

Thickness: 25mm

Pin Type: Three Pin

Color: White, Blue, Black, Yellow, Grey, etc.



## Model: Four Pin Gratings

### Swimming Pool Overflow Gratings

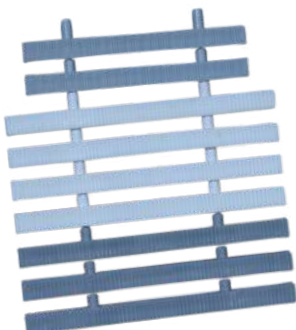
Material: ABS

Size: 18 inch

Thickness: 25mm

Pin Type: Four Pin

Color: White, Blue, Black, Yellow, Grey, etc.



## Model: Two Pin Round Gratings

### Swimming Pool Overflow Gratings

Material: ABS

Size: 10, 12 inch

Thickness: 25mm

Pin Type: Double Pin

Color: White, Blue, Black, Yellow, Grey, etc.

# Swimming Pool & Fountain Fittings





# Pool Fitting Series



**ABS Floor Inlet**  
Model: MK0034  
Size: 63mmx10kg



**Diffuser Inlet**  
Model: MK0035  
Size: 63mmx6/10kg



**Designer Inlet**  
Model: MK0036  
Size: 63mmx10kg



**Adjustable Inlet**  
Model: MK0037  
Size: 63mmx10kg



**Multi Hole Inlet**  
Model: MK0038  
Size: 63mmx10kg



**Grill Nozzle**  
Model: MK0039  
Size: 63mmx10kg



**Eye Ball Nozzle**  
Model: MK0040  
Size: 63mmx6/10kg



**Grill Nozzle**  
Model: MK0041  
Size: 50mmx10kg



**Eye Ball Nozzle**  
Model: MK0042  
Size: 50mmx10kg



**Suction Inlet**  
Model: MK0043  
Size: 63mmx6/10kg



**Round Main Drain Cover**  
Model: MK0044  
Size: 8"x8"



**Square Main Drain**  
Model: MK0045  
Size: 12"x12"

# Pool Fitting Series

## Swimming Pool Fittings



Model: MK0046  
ABS Gutter Drain



Model: MK0047  
ABS Round Drain



Model: MK0048  
Junction Box



Model: MK0049  
Standard Skimmer



Model: MK0050  
Wide Mouth Skimmer



Model: MK0051  
Multi Hole Nozzle



Model: MK0052  
Jacuzzi Tee Set



Model: Mk0053  
Jacuzzi Tee Body



Model: MK0054  
Rotary Jet



Model: MK0055  
Air Controller



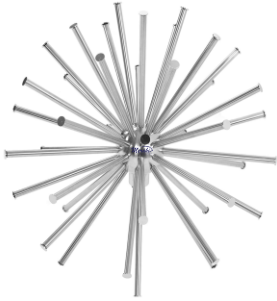
Model: MK0056  
Push Button



Model: MK0057  
Pneumatic Switch

## Jacuzzi Fittings

# Nozzles Series



Model: MK0058  
Dandalian Nozzle



Model: MK0059  
3 Stage Jet Nozzle



Model: MK0060  
Foam Jet Nozzle



Model: MK0061  
Gyser Jet Nozzle



Model: MK0062  
Bell Jet Nozzle



Model: MK0063  
Rain Dance Nozzle



Model: MK0064  
Revolving Jet Nozzle



Model: MK0065  
Finger Jet Nozzle



Model: MK0066  
Gyser Jet Nozzle



Model: MK0067  
Lily Jet Nozzle



Model: MK0068  
Shooter Jet Nozzle



Model: MK0069  
Column Jet Nozzle

# Swimming Pool Cleaning Equipment



# Cleaning Series



Model: MK0070  
18" Wall Brush



Model: MK0071  
18" Algae Brush



Model: MK0072  
Algae Brush



Model: MK0073  
10" Wall Brush



Model: MK0074  
Flat Leaf Net



Model: MK0075  
Deep Leaf Net



Model: MK0076  
14"/18" Aluminium Vacuum Head



Model: MK0077  
18"/24"/36" SS Vacuum Head



Model: MK0078  
Triangular Head



Model: MK0079  
9"/15"/30" Eva Hose Pipe



Model: MK0080  
Telescopic Pole



Model: MK0081  
Test Kit



TCCA 90 Granular



TCCA 90 Tablets



Crystal Alum



Crystal Copper Sulphate



Power Pool Cleaner



Algaecide



Soda Ash



Sodium Hypochlorite

## Robotic Pool Cleaner



- ▶ Revolutionary lightweight design
- ▶ Navigation system works regardless of pool shape
- ▶ Climbs wall automatically
- ▶ 2 hours cleaning cycle
- ▶ Low voltage operation
- ▶ No-twist floating cable swivel
- ▶ Quick-draining for easy removal from the pool
- ▶ Bottom loading filter bag and shoulder brush

### Technical Details:

Maximum size of the pool	11.0 x 6.0m
Max depth of the pool	2.50m
Pool profile	Cleans any profile (does not clean the steps)
Pool surface type	Vinyl Liner, fiberglass, tile and concrete Pools
Cleaning	Floor, walls and water line
Recommended cleaning time	Spring clean up to 3 hours
Suction width	35cm
Cleaning mode	2 hours automatic mode
Propulsion mode	Direct gear drive
Access to the debris collection bag	Bottom loading Filter Bag
Debris collection system	Extra Large volume bag to collect leaves, medium debris and fine particles
Floating Swivel (Anti-Twist Cable System)	Yes

## Automatic Pool Cleaner



### **NO ELECTRICITY NEEDED!**

The unique design of Meraki Automatic Pool Cleaner is our outstanding cleaning device with a suction function which ensures trouble-free operation. The power suction helps in the scrubbing of the wall and floor without any supervision.

- ▶ User-friendly and easy installation in a minute.
- ▶ Suitable for domestic in-ground pool and above ground pool.
- ▶ Quiet and fast cleaning.
- ▶ No electrical connection needed – this cleaner draws its Power from the suction of the pool pump & cleans the pool while the filtration system is running.



## Swimming Pool Cover

### Technical Details:

- ▶ Stainless steel stand and tube grade 304
- ▶ Well Polished
- ▶ Heavy duty tubing
- ▶ Bearings per side insure smooth operation
- ▶ Every sizes are available as per customer choice
- ▶ Superior Control of pool Cover handling procedure
- ▶ Durable and waterproof
- ▶ Easy Installation
- ▶ Material LDEP
- ▶ Bubble diameter 8-12 mm
- ▶ Thickness 400-600 micron
- ▶ Available in every shape and size
- ▶ UV and chemical resistant
- ▶ Strong and heavy duty border
- ▶ Heat welded to any shape and size
- ▶ Save Water chemical and valuable time



# Swimming Pool **Competition Equipment**



# Competition Series



Pool Side Diving Board



Life Jacket For Kids



Life Jacket For Adults



Life Bouy For Kids



Life Bouy For Adults



Life Saving Hook



Oxygen Cylinder



Folding Stretcher



Artificial Respirator



Snap Hook & Fittings



Rope Tightner



Anchor Cup



Five Track Starting Block



400mm Pool Starting Block



700mm Pool Starting Block



Anti Wave Racing Lane



Ball Type Racing Lane



Racing Lane SS Roller



Back Stroke Indicator



Life Guard Chair



Pool Side Equipment Stand



# Swimming Pool **Tiles & Furniture**





Model: MK0082



Model: MK0083



Model: MK0084



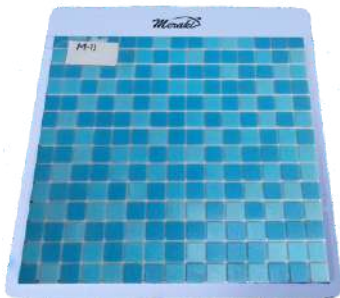
Model: MK0085



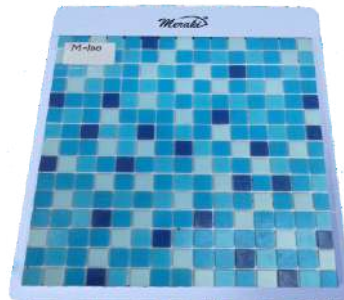
Model: MK0086



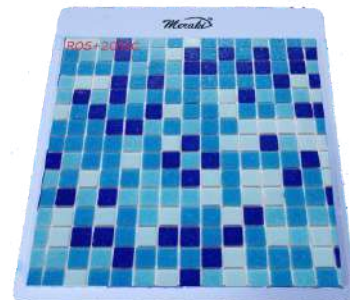
Model: MK0087



Model: MK0088



Model: MK0089



Model: MK0090



Model: MK0091



Model: MK0092



Model: MK0093



Model: MK0094



Model: MK0095



Model: MK0096



Model: MK0097



Model: MK0098



Model: MK0099

# Water Slides Series



Model: MK0100



Model: MK0101



Model: MK0102



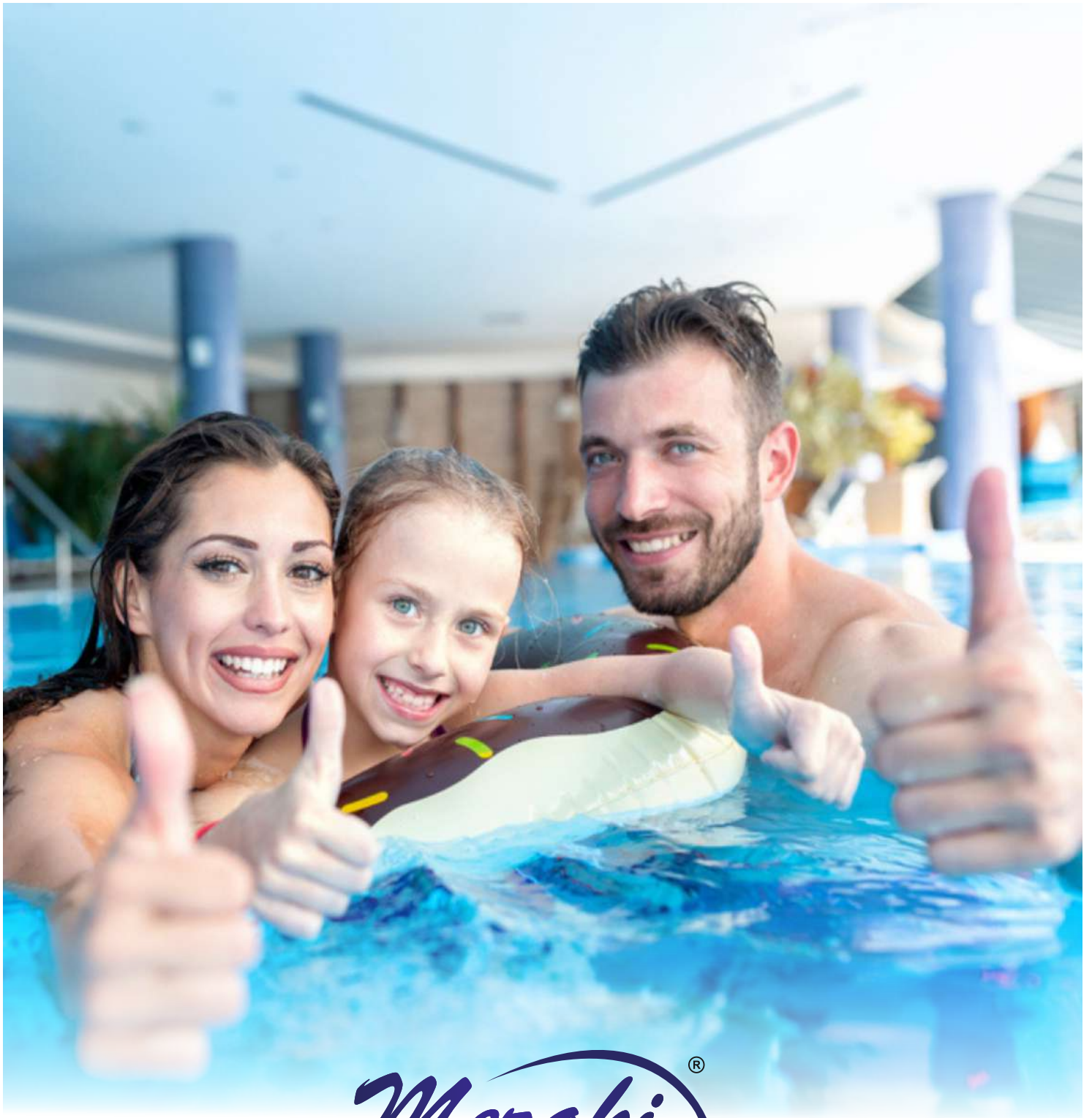
Model: MK0103



Model: MK0104



Model: MK0105



**Meraki**®

SYSTEMATIC APPROACH WITH QUALITY

For Dealers:

**Head Office: Delhi, India**